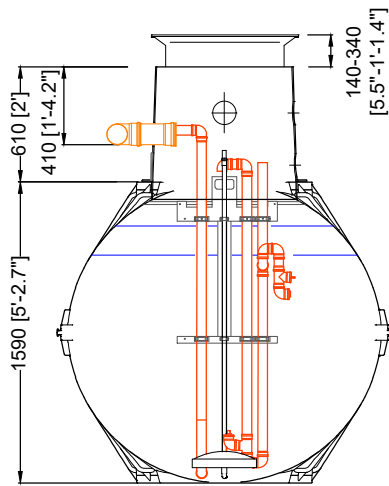


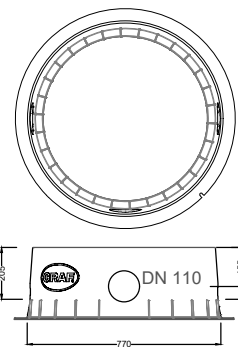
sludge storage/ buffer


SBR reactor



section SBR reactor

TD - Mini (as option)



|  |  |  |  |
|--|--|--|--|
| <p>D</p> <p><b>oneAdvanced 16 EW TD-Maxi</b><br/> <b>2 x Carat S 3750 L / 2 x 991 gal.</b></p> |  |  | <p>Artikel-Nr.<br/>product no.<br/>article no.<br/>articulo no.</p> <p><b>106847</b></p> |
| <p>GB</p> <p>oneAdvanced 16 inh.<br/>TD-Maxi<br/>2 x Carat S 3750 L / 2 x 991 gal.</p>         | <p>ES</p> <p>oneAdvanced 16 PE<br/>Cúpula Maxi<br/>2 x Carat S 3750 L / 2 x 991 gal.</p> | <p>FR</p> <p>oneAdvanced 16 EH<br/>Maxi-dôme<br/>2 x Carat S 3750 L / 2 x 991 gal.</p>                   | <p>revision</p>  |
| <p>gezeichnet<br/>drawn</p> <p>ISC</p>   | <p>Gewicht<br/>weight</p> <p>2 x 175 kg</p>  | <p>Otto Graf GmbH<br/>Carl-Zeiss-Str. 2-6<br/>DE-79331 Teningen<br/>mail@graf.info<br/>www.graf.info</p> |  |
| <p>Datum<br/>date</p> <p>2022.08.08</p>  | <p>Toleranz<br/>tolerance</p> <p>+/- 3%</p>  |                     |  |
| <p>Maßstab<br/>scale</p> <p>M 1:40 / 1:30</p>  | <p>Einheiten<br/>units</p> <p>mm [inch]<br/>gal. = US gal.</p>                           |  |  |